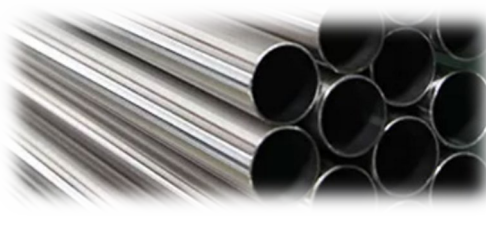
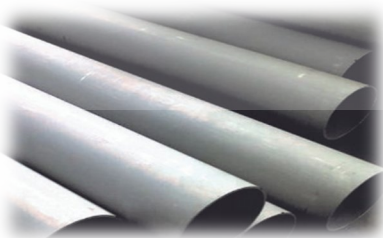


AVAILABLE IN BOTH

IMPORT

DOMESTIC

**STAINLESS STEEL**  
*PIPE*



# JABO SUPPLY



## 5 LOCATIONS

### **PARKERSBURG, WV**

10085 Emerson Avenue 26102  
(304) 464-4400

### **MORGANFIELD, KY**

118 Jim Veatch Road, 42437  
(270) 389-3430

### **HUNTINGTON, WV**

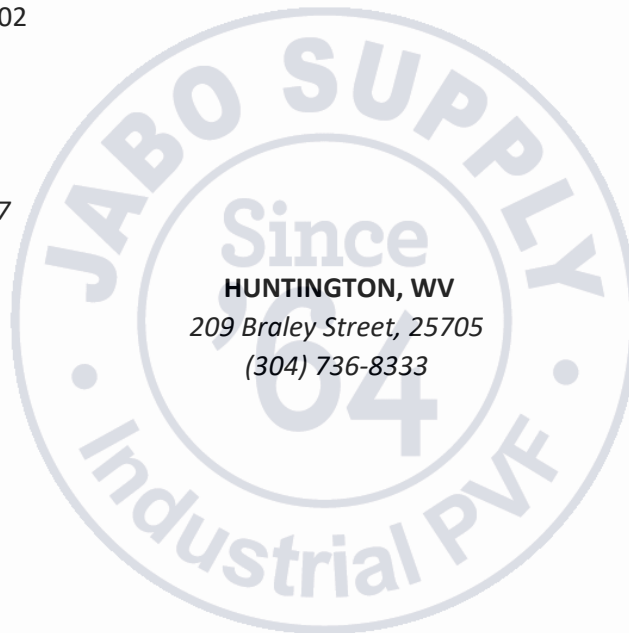
209 Braley Street, 25705  
(304) 736-8333

### **NORTON, VA**

205 Hawthorne Drive, 24273  
(276) 679-1224

### **BEAVER, WV (BECKLEY)**

227 C&O Shop Road 25813  
(304-252-0000




SINCE 1964 SERVICE IS MORE THAN A PROMISE

**INDEX**

	<b>PAGE #</b>
Picture Index Import Stainless Steel Tubing	4
Picture Index Import Stainless Steel Pipe	5
Commonly Asked Questions about Steel Pipe	6-7
*What are the Different Types of Steel Pipe?	6
* What is Schedule of Pipe?	6
*What type of End Connections are Available?	6
* How is Steel Pipe Manufactured (SPECS)?	6-7
* Is a MTR needed with the Delivery of the Pipe ?	7
How to Order Stainless Steel Pipe	7


**IMPORT STAINLESS STEEL TUBING SA269**

TYPES	IMPORT STAINLESS STEEL TUBING				
	WALL SIZE				
	0.035	0.049	0.065	0.095	0.109
	PAGE#	PAGE #	PAGE#	PAGE #	PAGE#
<b>304 WELDED</b>	10	10			
<b>316 WELDED</b>	10				
<b>304 SEAMLESS</b>					
<b>316 SEAMLESS</b>	11	11	11	11	11
<b>MTR MUST BE REQUESTED AT THE TIME OF ORDER</b>					



**IMPORT STAINLESS STEEL PIPE A312**





TYPES	IMPORT STAINLESS STEEL PIPE		
	WALL SIZE		
	SCH 10	SCH 40	SCH 80
	PAGE#	PAGE #	PAGE#
<b>304 WELDED</b>	12	13	15
<b>316 WELDED</b>	12	13	15
<b>304 SEAMLESS</b>		14	
<b>316 SEAMLESS</b>		14	
<b>MTR MUST BE REQUESTED AT THE TIME OF ORDER</b>			







**DOMESTIC STAINLESS STEEL TUBE / PIPE**



	<b>PAGE #</b>
DOMESTIC TUBE / PIPE (NON STOCK)	16

IMPORT PICTURE INDEX

TUBING			
WELDED 304 .035 WALL	WELDED 316 .035 WALL	WELDED 304 0.049 WALL	SEAMLESS 316 0.035 WALL
			
PAGE 10	PAGE 10	PAGE 10	PAGE 11

TUBING			
SEAMLESS 316 .035 WALL	SEAMLESS 316 .049 WALL	SEAMLESS 316 .065 WALL	SEAMLESS 316 .095 WALL
			
PAGE 11	PAGE 11	PAGE 11	PAGE 11

TUBING	
SEAMLESS	
316	
.109 WALL	
	
PAGE 11	

<b>PIPE</b>			
<b>WELDED</b>	<b>WELDED</b>	<b>WELDED</b>	<b>WELDED</b>
<b>304</b>	<b>316</b>	<b>304</b>	<b>316</b>
<b>SCH 10</b>	<b>SCH 10</b>	<b>SCH 40</b>	<b>SCH 40</b>
			
PAGE 12	PAGE 12	PAGE 13	PAGE 13
<b>PIPE</b>			
<b>SEAMLESS</b>	<b>SEAMLESS</b>	<b>WELDED</b>	<b>WELDED</b>
<b>304</b>	<b>316</b>	<b>304</b>	<b>316</b>
<b>SCH 40</b>	<b>SCH 40</b>	<b>SCH 80</b>	<b>SCH 80</b>
			
PAGE 14	PAGE 14	PAGE 15	PAGE 15

**DOMESTIC PICTURE INDEX**

DOMESTIC SS PIPE (NON STOCK)

## MOST COMMONLY ASKED QUESTIONS

DUE TO THE MANY DIFFERENT PIPE CONFIGURATIONS JABO SUPPLY WILL NEED TO KNOW THE FOLLOWING INFORMATION WHEN ORDERING PIPE.

### **1. (QUESTION) TYPE OF STEEL PIPE?**

1. CARBON STEEL?
2. GALVANIZED?
3. STAINLESS STEEL?

### **2. (QUESTION) WHAT SCHEDULE ? (REF TO PIPE CHART FOR DIFFERENT SCH**

Pipe schedule (SCH) is **how the wall thickness of a pipe is described**. It is not an actual measurement, but a guide number based on a wall thickness formula. Two pipes of the same diameter may have different schedules, which means they have a different wall thickness. **THE GREATER THE SCH THE THICKER THE PIPE**

**PLEASE LET YOUR CSR KNOW  
WHEN ORDERING IF AN MTR IS  
REQUIRED.**

### **3. (QUESTION) WHAT TYPE OF END CONNECTION? (See next page for pictures of each)**

**HOW WILL THE PIPE BE ASSEMBLED? (See next page for pictures of each)**

#### **1. Plain End (PE) - Uses weld fittings (butt weld or socket weld fittings)**

\*Socket weld is typically used for smaller diameter pipe.

\*Butt weld is typically used for larger diameter (4" and up).

#### **2. Threaded & Coupled (T&C) - Uses malleable steel or forged steel fittings.**

#### **3. Flanged- Uses flanges to connect pipe.**

**4. Grooved Connections-** The pipe groove is made by forming or machining an actual groove into the end of two pipes. A coupling is required to join the pipe.

### **4. (QUESTION) HOW IS IT MANUFACTURED?**

#### **A. ASTM A53**

(ERW) Electric Resistance Welding pipe is manufactured by rolling metal and then welding it longitudinally across its length.

(CW) Continuous Weld-Pipe that is produced with a continuous weld, typically small diameter pipe. The steel is formed into the pipe shape while hot, then the edges are fused or welded together. CW simply means that the laser remains on continuously until stopped.

#### **B. ASTM A106 SEAMLESS**

Seamless pipe is commonly used in the construction of oil and gas refineries, power plants, petrochemical plants, boilers, and ships where the piping must transport fluids and gases that exhibit higher temperatures and pressure levels.

**Generally, seamless is used for applications that demand high pressure and ERW is utilized for the services of low to medium pressure**



**MOST COMMONLY ASKED QUESTIONS**


**5. (QUESTION) IS A MTR REQUIRED WITH THE DELIVERY OF THE PIPE ?**

A material test report (MTR), sometimes called a mill/manufacturer test report, is a certified record of a steel product's physical and chemical properties and in some cases, raw material origins. These properties are measured against standards set up by the American National Standards Institute (ANSI) or the American Society of Mechanical Engineers (ASME), in order to control and ensure quality. An MTR ensures proper compliance with these standards, and presents the buyer with documentary proof of that compliance.

**MTR MUST BE REQUESTED AT THE TIME OF ORDER.**


*\*NORMALLY THE MINING INDUSTRY DOES NOT REQUIRE MTR.*

**HOW TO ORDER STEEL PIPE**




HOW TO ORDER STEEL PIPE					
1. Provide Jabo Part number to your Jabo CSR					
2. Provide the below information to your Jabo CSR					
#1	#2	#3	#4	#5	#6
WHERE MFR	ENDS	TYPE	TYPE OF STEEL	PIPE SIZE	PIPE SCHEDULE
1. IMPORT	PLAIN END	*A53	CARBON	1/8"-48"	10, 10S
2. DOMESTIC	THREADED	SEAMLESS	GALVANIZED		40, STD, 40S
	GROOVED		STAINLESS		80, XH, 80S
* A53 ERW OR CW					120
					160
CHOOSE ONE EACH FROM EACH COLUMN				XX	

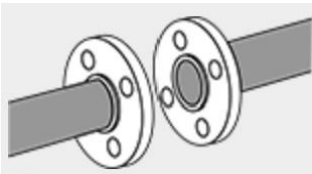
**COMMON TYPES OF PIPE CONNECTIONS**




Butt Weld




Slip-on Weld




Flanged




Socket Connect



Stub End



EXAMPLE OF GROOVED PIPE



GROOVED COUPLER NEEDED WITH GROOVED PIPE




# IMPORT STAINLESS STEEL *PIPE*



IMPORT STAINLESS STEEL TUBING

WELDED TUBING SA269

**304 WELDED  
.035 WALL**

IMPORT	
	
JABO PART#	SIZE
*	1/8"
040-91000	1/4"
040-91020	3/8"
040-91040	1/2"
040-91060	3/4"
040-91080	1"
*	1-1/4"
*	1-1/2"
*	2"
MTR AVAILABLE UPON REQUEST	
<b>*Non Stock-Call Jabo Supply</b>	

**316 WELDED  
.035 WALL**

IMPORT	
	
JABO PART#	SIZE
*	1/8"
040-92010	1/4"
040-92030	3/8"
040-92050	1/2"
*	3/4"
*	1"
*	1-1/4"
*	1-1/2"
*	2"
MTR AVAILABLE UPON REQUEST	
<b>*Non Stock-Call Jabo Supply</b>	

**304 WELDED  
.049 WALL**

IMPORT	
	
JABO PART#	SIZE
*	1/8"
040-94020	1/4"
040-94040	3/8"
040-94060	1/2"
*	3/4"
040-94080	1"
*	1-1/4"
*	1-1/2"
*	2"
MTR AVAILABLE UPON REQUEST	
<b>*Non Stock-Call Jabo Supply</b>	



DIFFERENCE IN A269 & A270 SPEC


A270 raw material and finished product is inspected to surface finish requirements, whereas A269 is not. A269 requires only a workmanlike finish, and minor surface imperfections are acceptable for A269 service.

**\*NON STOCK CALL JABO SUPPLY**


IMPORT STAINLESS STEEL TUBING

SEAMLESS TUBING SA269


**316 SEAMLESS  
.035 WALL**

IMPORT	
	
JABO PART#	SIZE
*	1/8"
040-95020	1/4"
040-95040	3/8"
040-95060	1/2"
*	3/4"
*	1"
*	1-1/4"
*	1-1/2"
*	2"
MTR AVAILABLE UPON REQUEST	
<b>*Non Stock-Call Jabo Supply</b>	

**316 SEAMLESS  
.049 WALL**

IMPORT	
	
JABO PART#	SIZE
*	1/8"
*	1/4"
*	3/8"
040-95065	1/2"
040-95080	3/4"
*	1"
*	1-1/4"
*	1-1/2"
*	2"
MTR AVAILABLE UPON REQUEST	
<b>*Non Stock-Call Jabo Supply</b>	


**316 SEAMLESS  
.065 WALL**

IMPORT	
	
JABO PART#	SIZE
*	1/8"
*	1/4"
*	3/8"
*	1/2"
040-95080	3/4"
040-95120	1"
040-95160	1-1/4"
040-95180	1-1/2"
*	2"
MTR AVAILABLE UPON REQUEST	
<b>*Non Stock-Call Jabo Supply</b>	

**316 SEAMLESS  
.095 WALL**

IMPORT	
	
JABO PART#	SIZE
*	1/8"
*	1/4"
*	3/8"
*	1/2"
040-95100	3/4"
*	1"
*	1-1/4"
*	1-1/2"
*	2"
MTR AVAILABLE UPON REQUEST	

**316 SEAMLESS  
.109 WALL**

IMPORT	
	
JABO PART#	SIZE
*	1/8"
*	1/4"
*	3/8"
*	1/2"
*	3/4"
040-95140	1"
*	1-1/4"
	1-1/2"
*	2"
MTR AVAILABLE UPON REQUEST	



**DIFFERENCE IN A269 & A270 SPEC**


A270 raw material and finished product is inspected to surface finish requirements, whereas A269 is not. A269 requires only a workmanlike finish, and minor surface imperfections are acceptable for A269 service.

**\*NON STOCK CALL JABO SUPPLY**


IMPORT STAINLESS STEEL PIPE & TUBING PLAIN END

SCHEDULE 10 WELDED A312

**304 WELDED  
SCH 10**

IMPORT	
	
JABO PART#	SIZE
*	1/8"
*	1/4"
*	3/8"
*	1/2"
040-59080	3/4"
040-59100	1"
*	1-1/4"
040-60000	1-1/2"
040-60040	2"
*	2-1/2"
040-60060	3"
040-60080	4"
040-60120	6"
040-60140	8"
OTHER SIZES AVAIL UPON REQUEST	
MTR AVAILABLE UPON REQUEST	
<b>*Non Stock-Call Jabo Supply</b>	

**316 WELDED  
SCH 10**

IMPORT	
	
JABO PART#	SIZE
*	1/8"
*	1/4"
*	3/8"
040-69860	1/2"
040-69880	3/4"
040-69900	1"
*	1-1/4"
040-70000	1-1/2"
040-70040	2"
*	2-1/2"
040-70060	3"
040-70080	4"
040-70100	6"
*	8"
OTHER SIZES AVAIL UPON REQUEST	
MTR AVAILABLE UPON REQUEST	
<b>*Non Stock-Call Jabo Supply</b>	

ASTM A312

ASTM A312 is an American Standard specification which covers seamless, straight-seam welded, and heavily cold worked welded austenitic stainless steel pipe intended for high-temperature and general corrosive service. The most common grades are 304/304L Stainless Steel and 316/316L Stainless Steel.

316 SS

316 contains a minimum 2.0% molybdenum which makes it much more corrosion resistant

304 SS

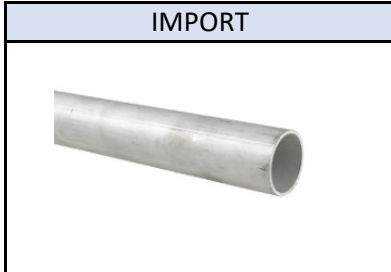
304 is more cost effective than 316



**IMPORT STAINLESS STEEL PIPE**

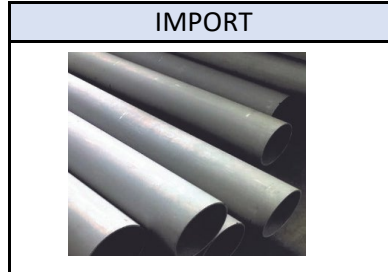
**SCHEDULE 40 WELDED**

**304 WELDED  
SCH 40**



IMPORT	
JABO PART#	SIZE
*	1/8"
040-00020	1/4"
*	3/8"
040-10000	1/2"
040-10100	3/4"
040-10200	1"
040-10220	1-1/4"
040-10240	1-1/2"
040-10260	2"
040-10280	2-1/2"
040-10300	3"
040-10320	4"
040-10340	6"
040-10380	8"
OTHER SIZES AVAIL UPON REQUEST	
MTR AVAILABLE UPON REQUEST	
<b>*Non Stock-Call Jabo Supply</b>	

**316 WELDED  
SCH 40**




IMPORT	
JABO PART#	SIZE
*	1/8"
*	1/4"
040-10980	3/8"
040-11000	1/2"
040-11020	3/4"
040-11040	1"
	1-1/4"
040-11080	1-1/2"
040-11100	2"
*	2-1/2"
040-11220	3"
040-11240	4"
040-11260	6"
040-11280	8"
OTHER SIZES AVAIL UPON REQUEST	
MTR AVAILABLE UPON REQUEST	
<b>*Non Stock-Call Jabo Supply</b>	




IMPORT STAINLESS STEEL PIPE

SCHEDULE 40 SEAMLESS A312

**304 SEAMLESS  
SCH 40**

IMPORT	
	
JABO PART#	SIZE
*	1/8"
*	1/4"
*	3/8"
*	1/2"
*	3/4"
040-80060	1"
*	1-1/4"
040-80070	1-1/2"
040-80080	2"
*	2-1/2"
*	3"
*	4"
*	5"
*	6"
*	8"
OTHER SIZES AVAIL UPON REQUEST	
MTR AVAILABLE UPON REQUEST	
<b>*Non Stock-Call Jabo Supply</b>	

**316 SEAMLESS  
SCH 40**

IMPORT	
	
JABO PART#	SIZE
*	1/8"
*	1/4"
*	3/8"
*	1/2"
*	3/4"
*	1"
*	1-1/4"
*	1-1/2"
*	2"
*	2-1/2"
*	3"
*	4"
*	5"
*	6"
*	8"
OTHER SIZES AVAIL UPON REQUEST	
MTR AVAILABLE UPON REQUEST	
<b>*Non Stock-Call Jabo Supply</b>	




**IMPORT STAINLESS STEEL PIPE**

**SCHEDULED 80 WELDED PIPE A312**

**304 WELDED  
SCH 80**

IMPORT	
	
JABO PART#	SIZE
*	1/8"
*	1/4"
*	3/8"
*	1/2"
*	3/4"
*	1"
*	1-1/4"
*	1-1/2"
*	2"
*	2-1/2"
*	3"
*	4"
*	6"
*	8"
OTHER SIZES AVAIL UPON REQUEST	
MTR AVAILABLE UPON REQUEST	
<b>*Non Stock-Call Jabo Supply</b>	

**316 WELDED  
SCH 80**

IMPORT	
	
JABO PART#	SIZE
*	1/8"
*	1/4"
*	3/8"
040-12020	1/2"
040-12030	3/4"
040-12040	1"
*	1-1/4"
*	1-1/2"
*	2"
*	2-1/2"
*	3"
*	4"
*	6"
*	8"
OTHER SIZES AVAIL UPON REQUEST	
MTR AVAILABLE UPON REQUEST	
<b>*Non Stock-Call Jabo Supply</b>	



# DOMESTIC STAINLESS STEEL PIPE



**CALL YOUR JABO SALES CUSTOMER REPRESENTATIVE AND ASK FOR THE FOLLOWING**

1. Domestic Stainless Steel Pipe
2. Pipe Size / Tubing OD
3. Schedule
4. 304/316 Grade



# STAINLESS STEEL PIPE



JABO SUPPLY SINCE 1964 SERVICE IS MORE THAN A PROMISE

(304)-736-8333