



# JABO SUPPLY



# ZURN®



## "PRV"

## Pressure Reducing Valves



**5 LOCATIONS**

**PARKERSBURG, WV**  
10085 Emerson Avenue 26102  
(304) 464-4400

**NORTON, VA**  
205 Hawthorne Drive, 24273  
(276) 679-1224

**HUNTINGTON, WV**  
209 Braley Street, 25705  
(304) 736-8333

**MORGANFIELD, KY**  
118 Jim Veatch Road, 42437  
(270) 389-3430

**BEAVER, WV (BECKLEY)**  
227 C&O Shop Road 25813  
(304-252-0000

**SINCE 1964 SERVICE IS MORE THAN A PROMISE**

## PICTUE INDEX ZURN-WILKINS PRV

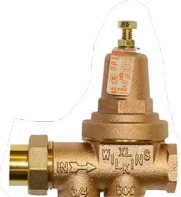
DESCRIPTION	PAGE #
<b>PICTURE INDEX</b>	<b>4</b>
<b>MODEL 600XL</b>	<b>5-6</b>
*Spec Sheet	5
*600XL	6
*600XLHR	6
*600XLDM	6
*600XLDMHLR	6
*600XLLUSC	6
*600XLHRLUSC	6
<b>MODEL NR3XL</b>	<b>7-8</b>
*Spec Sheet	7
*NR3XL STANDARD	8



# PICTURE INDEX

## ZURN MODEL 600XL



		600XL	600XLHR
CALL JABO SUPPLY (304) 736-8333			
		Page 6	Page 6
600XLLUSC	600XLHRLUSC	600XLDM	600XLDMHLR
			
Page 6	Page 6	Page 6	Page 6

## ZURN MODEL NR3XL

NR3XL STANDARD

Page 8



# Model 600XL

## Water Pressure Reducing Valve with Integral By-pass Check Valve and Strainer

### Application

Ideal for use where Lead-Free\* valves are required. Designed for installation on potable water lines to reduce high inlet pressure to a lower outlet pressure. The integral strainer makes this device most suitable for residential and commercial water systems requiring frequent cleaning because of sediment and debris. The direct acting integral by-pass design prevents buildup of excessive system pressure caused by thermal expansion. The balanced piston design enables the regulator to react in a smooth and responsive manner to changes in system flow demand, while at the same time, providing protection from inlet pressure changes.

### Standards Compliance

- ASSE® Listed 1003
  - IAPMO® Listed
  - CSA® Certified
  - City of Los Angeles Approved
  - NSF® Listed - Standard 61, Annex G\*
  - Certified to NSF/ANSI 372\* by IAPMO R&T
- \*(0.25% MAX. WEIGHTED AVERAGE LEAD CONTENT)

### Materials

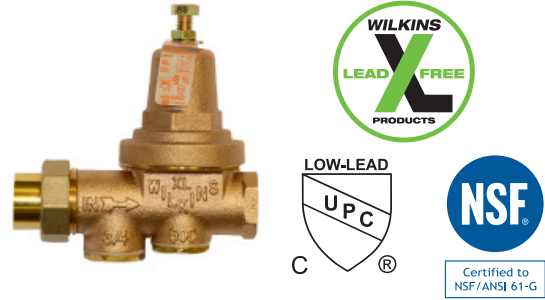
Main valve body	Low Lead Cast Bronze	ASTM B 584
Access covers	Low Lead Cast Bronze	ASTM B 584
	Low Lead Brass	
Fasteners	Stainless Steel, 300 Series	
Stem & plunger	Low Lead Cast Bronze	ASTM B 584
	Low Lead Brass	
Elastomers	Buna Nitrile, (FDA Approved)	
	EPDM, (FDA Approved)	
Cap gaskets	Natural Vulcanized Fibre	
	Acetal (Delrin™), NSF Listed	
Strainer screen	Stainless Steel, 300 Series	Strainer
Seat	Stainless Steel, 300 Series	

### Features

Sizes:	1/2", 3/4", 1", 1 1/4", 1 1/2", 2"	
Maximum working water pressure		300 psi
Maximum working water temperature		140°F
Reduced pressure range (standard)		25 psi to 75 psi
Factory preset		50 psi
Hydrostatic test pressure		300 psi
CPVC tailpiece: Max. hot water temp.		140°F @ 100 psi
	Cold water rated temp.	73.4°F @ 400 psi

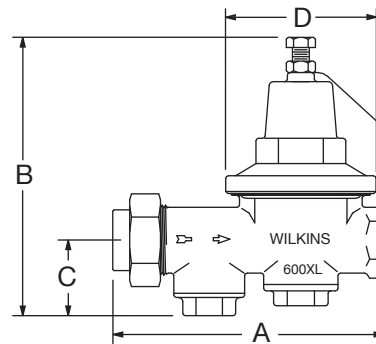
### Dimensions & Weights (do not include pkg.)

SIZE		CONNECTIONS	DIMENSIONS (approximate)								WEIGHT	
			A		B		C		D		lbs.	kg.
in.	mm		in.	mm	in.	mm	in.	mm	in.	mm		
1/2	15	SINGLE UNION	5 1/2	133	6 1/4	159	1 1/4	32	2 3/4	70	3	1.5
1/2	15	LESS UNION	4 1/2	114	6 1/4	159	1 1/4	32	2 3/4	70	3	1.5
3/4	20	SINGLE UNION	5 5/16	135	5 1/2	140	1 1/4	32	2 3/4	70	3	1.5
3/4	20	LESS UNION	4 7/8	121	5 1/2	140	1 1/4	32	2 3/4	70	3	1.5
1	25	SINGLE UNION	6 1/8	156	7 1/4	184	2	51	3 3/8	86	5	2.5
1	25	LESS UNION	5 3/4	146	7 1/4	184	2	51	3 3/8	86	5	2.5
1 1/4	32	SINGLE UNION	7 1/8	181	8	203	2	51	3 7/8	100	7	3.0
1 1/2	40	SINGLE UNION	9 1/8	232	10	254	2 1/2	64	5	127	13	6.0
2	50	SINGLE UNION	10 1/4	260	12	305	3	76	6 1/2	165	21	9.5



### Options (Suffixes can be combined)

- standard with 20 mesh strainer screen, SU, FNPT
- C - copper sweat connection (3/4" thru 2")
- HR - 75 psi to 125 psi spring range, factory set at 85 psi
- HLR - 10 psi to 125 psi spring range, factory set at 50 psi
- HTSTSC - 180°F maximum temp, stainless steel trim, spring, sealed cage
- L - less integral by-pass check valve
- LU - less union assembly, female x female (3/4" & 1" only)
- LPV - 180°F maximum temp with 10 psi to 35 psi spring range, factory set at 20 psi
- LPC - 140°F maximum temp with 10 psi to 35 psi spring range, factory set at 20 psi (2" field set only)
- SC - sealed cage bell housing and stainless steel adjustment screw
- 610XL - 400 psi inlet rating and 75 psi to 125 psi spring range, factory set at 85 psi
- P - tapped and plugged for gauge
- CPVC - CPVC tailpiece connection (1/2"-1")
- G - Tapped with gauge
- CH - Chrome stem & plunger



## ZURN MODEL 600XL

with Integral By-pass Check Valve and Strainer

### 600XL



JABO #	SIZE	PSI
*	1/2"	25-75
760-80165	3/4"	25-75
*	1"	25-75
*	1-1/4"	25-75
*	1-1/2"	25-75
760-80300	2"	25-75

**STD** with 20 mesh screen , SU (Single Union), FNPT

\*NON STOCK CALL JABO SUPPLY

### 600XLLUSC

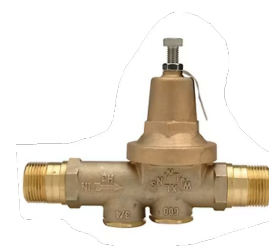


JABO #	SIZE	PSI
*	1/2"	25-75
760-80167	3/4"	25-75
760-80200	1"	25-75
*	1-1/4"	25-75
*	1-1/2"	25-75
*	2"	25-75

**LU-less Union**

**SC** -Sealed cage bell housing and stainless steel adjustment screw

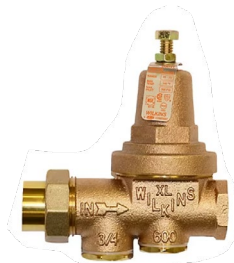
### 600XLDM



JABO #	SIZE	PSI
*	1/2"	25-75
760-80170	3/4"	25-75
*	1"	25-75
*	1-1/4"	25-75
*	1-1/2"	25-75
*	2"	25-75

**DM**-Double Male

### 600XLHR



JABO #	SIZE	PSI
*	1/2"	75-125
760-80152	3/4"	75-125
760-80163	1"	75-125
*	1-1/4"	75-125
*	1-1/2"	75-125
*	2"	75-125

**HR**- 75-125 psi spring range factory set 85 psi

\*NON STOCK CALL JABO SUPPLY

### 600XLHRLUSC



JABO #	SIZE	PSI
*	1/2"	75-125
760-80153	3/4"	75-125
*	1"	75-125
*	1-1/4"	75-125
*	1-1/2"	75-125
*	2"	75-125

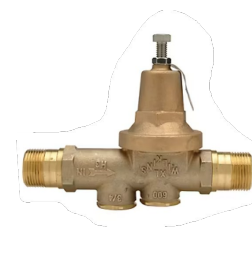
**HR**- 75-125 psi spring range factory set 85 psi

**LU**- Less Union Assembly, female x female (3/4" & 1" only)

**SC**-sealed cage bell housing and stainless steel adjustment screw

\*NON STOCK CALL JABO SUPPLY

### 600XLDMHLR



JABO #	SIZE	PSI
*	1/2"	10-125
760-80171	3/4"	10-125
*	1"	10-125
*	1-1/4"	10-125
*	1-1/2"	10-125
*	2"	10-125

**DM**-Double Male

**HLR**-10-125 psi Spring Range , factory set at 50 psi



# Model NR3XL

## Water Pressure Reducing Valve with Integral By-Pass Check Valve and Strainer

### Application

Ideal for use where Lead-Free\* valves are required. Designed for installation on potable water lines to reduce high inlet pressure to a lower outlet pressure. The integral strainer makes this device most suitable for residential and commercial water systems that require frequent cleaning of sediment and debris. The direct acting integral by-pass design prevents buildup of excessive system pressure caused by thermal expansion. The balance piston design enables the regulator to react in a smooth and responsive manner to changes in system flow demand, while at the same time, providing protection from inlet pressure changes. The sealed cage washer and stainless steel adjustment bolt and nut improve corrosion resistance for all applications including below-ground pit installation.

### Standards Compliance

- ASSE® Listed 1003
- IAPMO® Listed
- CSA® Certified
- Meets the requirements of NSF/ANSI/CAN 61\* (0.25% MAX. WEIGHTED AVERAGE LEAD CONTENT)

### Materials

Main valve body	Low Lead Cast bronze ASTM B 584
Bell housing	UV resistant polymer composite
Internals	Stainless steel, 300 Series
Stem	Low Lead Brass
Elastomers	EPDM (FDA approved) Buna nitrile (FDA approved)
Cartridge	Delrin™
Springs	302 Stainless Steel
Strainer screen	300 Series Stainless Steel

### Features

Sizes: 1/2", 3/4", 1", 1-1/4", 1-1/2", 2"	
Max. working water pressure (1/2" - 1-1/4")	400 psi
Max. working water pressure (1-1/2" - 2")	300 psi
Max. working water temperature	140°F
Reduced pressure range (1/2" - 1-1/4")	15 to 75 psi
Reduced pressure range (1-1/2" - 2")	25 to 75 psi
Factory preset	50 psi
Threaded connections (FNPT)	ANSI B1.20.1
Copper connections (FC)	ANSI B16.22
CPVC tailpiece: Max. hot water temp.	140°F @ 100 psi
Cold water rated temp.	73.4°F @ 400 psi

### Dimensions & Weights (do not include pkg.)

SIZE		CONNECTIONS	DIMENSIONS (approximate)								WEIGHT	
			A		B		C		D			
in.	mm		in.	mm	in.	mm	in.	mm	in.	mm	lbs.	kg
1/2	15	SINGLE UNION	4 3/8	111	6 1/4	159	1 1/8	29	2 1/2	64	3	1.5
1/2	15	ROUGH IN	3 3/4	95	SAME AS LESS UNION							
1/2	15	LESS UNION	3 1/2	89	6 1/4	159	1 1/8	29	2 1/2	64	3	1.5
1/2	15	DOUBLE UNION	5 1/4	133	6 1/4	159	1 1/8	29	2 1/2	64	3	1.5
3/4	20	SINGLE UNION	4 7/16	113	6 1/4	159	1 1/8	29	2 1/2	64	3	1.5
3/4	20	ROUGH IN	3 3/4	95	SAME AS LESS UNION							
3/4	20	LESS UNION	3 1/2	89	6 1/4	159	1 1/8	29	2 1/2	64	3	1.5
3/4	20	DOUBLE UNION	5 3/8	137	6 1/4	159	1 1/8	29	2 1/2	64	3	1.5
3/4	20	DOUBLE MALE METER	3 5/8	92	6 1/4	159	1 1/8	29	2 1/2	64	3	1.5
1	25	SINGLE UNION	4 15/16	125	6 1/4	159	1 1/8	29	2 1/2	64	4	2
1	25	ROUGH IN	4 1/4	108	SAME AS LESS UNION							
1	25	LESS UNION	4	102	6 1/4	159	1 1/8	29	2 1/2	64	3.5	1.6
1	25	DOUBLE UNION	5 15/16	151	6 1/4	159	1 1/8	29	2 1/2	64	4.5	2.1
1	25	DOUBLE MALE METER	4	102	7 3/4	197	1 3/16	30	3	76	4	2.0
1 1/4	32	SINGLE UNION	6 3/16	157	7 3/4	197	1 3/16	30	3	76	5.5	2.5
1 1/4	32	ROUGH IN	5 1/4	133	SAME AS LESS UNION							
1 1/4	32	LESS UNION	5	127	7 3/4	197	1 3/16	30	3	76	5	2.3
1 1/4	32	DOUBLE UNION	7 3/8	187	7 3/4	197	1 3/16	30	3	76	6	2.7
1 1/2	40	SINGLE UNION	6 5/16	160	8 1/2	216	1 3/4	45	3 3/4	95	6.6	3
1 1/2	40	ROUGH IN	5 1/4	133	SAME AS LESS UNION							
1 1/2	40	LESS UNION	5	127	8 1/2	216	1 3/4	45	3 3/4	95	5.5	2.5
1 1/2	40	DOUBLE UNION	7 1/2	191	8 1/2	216	1 3/4	45	3 3/4	95	7.7	3.5
2	50	SINGLE UNION	6 1/4	159	8 1/2	216	2	51	3 3/4	95	8.1	3.7
2	50	ROUGH IN	5 1/4	133	SAME AS LESS UNION							
2	50	LESS UNION	5	127	8 1/2	216	2	51	3 3/4	95	6.7	3
2	50	DOUBLE UNION	7 1/2	191	8 1/2	216	2	51	3 3/4	95	9.5	4.3



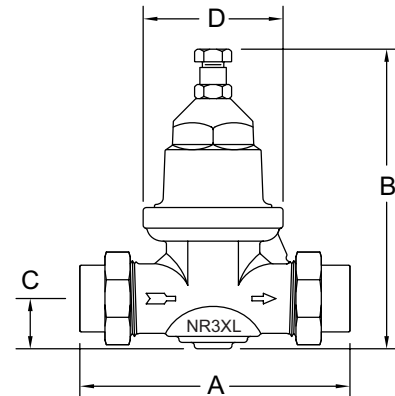
### Options

(Suffixes can be combined)

- standard with single union FNPT connection and 20 mesh strainer screen
- C - with FC (copper sweat) union connection
- DM - with double male meter thread connections (3/4" and 1" only) connection with SS spring & sealed cage
- G - tapped and plugged with gauge
- DU - with double union connection (FNPT)
- DULU - with 2 integral FNPT connection (no union)
- PEX - with male barbed connection tailpiece for cross-linked polyethylene tubing (1/2" - 1" only)
- PEXF1960 - with male barbed connection PEX tailpiece conforming to ASTM F1960 (1/2" - 1" only)
- P - tapped and plugged for gauge
- CPVC - CPVC tailpiece connection (3/4" - 1")
- HRSC - High Range 15-125 psi (1/2"-1-1/4" only) with sealed cage
- DUPF - with 2 Z-Bite™ push fit tailpiece connection 250 psi max pressure (1/2" - 1" only)
- DUPR - with 2 Z-Press™ press fit tailpiece connection 250 psi max pressure (3/4" - 2" only)

### Accessories

- Repair kit
  - 3/4" NR3DUSPC
  - 1-1/4" BR4DUSPC
  - 1-1/2" NR3DUSPC
  - 2" NR3DUSPC
  - TPKXL
  - TPKXLPF
  - TPKXLPR
  - RFK-114NR3XL
- Special plastic spacer nipple  
Steel pipe  
Steel pipe  
Steel pipe  
Lead-Free Tailpiece kit  
Z-Bite™ push fit Tailpiece kit  
250 psi max pressure (1/2"-1" only)  
Z-Press™ press fit Tailpiece kit  
250 psi max pressure (3/4"-1" only)  
Extends body length of 1-1/4" NR3XL to match 1-1/4" 70DU for easy retrofit.



## ZURN MODEL NR3XL

with Integral By-pass Check Valve and Strainer

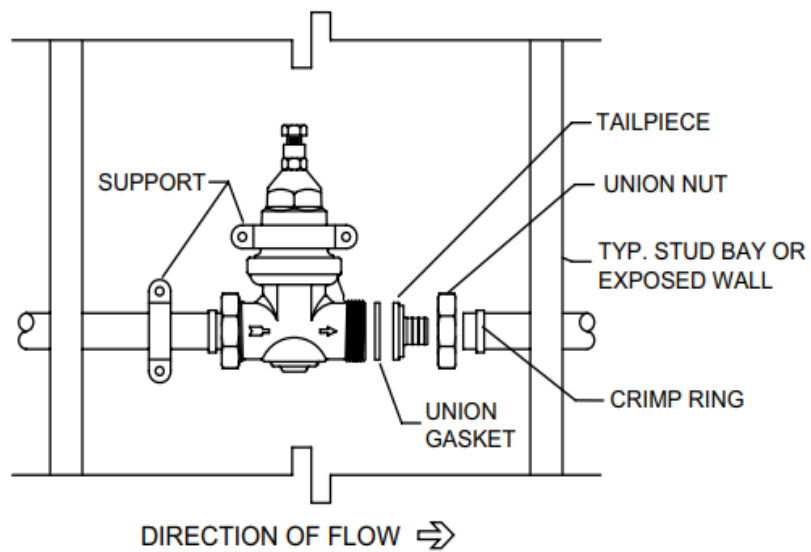
### NR3XL STANDARD



#### Single Union x FNPT

20 Mesh Strainer Screen

JABO #	SIZE	PSI
*	1/2"	75-125
760-80150	3/4"	75-125
*	1"	75-125
	1-1/4"	75-125
	1-1/2"	75-125
	2"	75-125



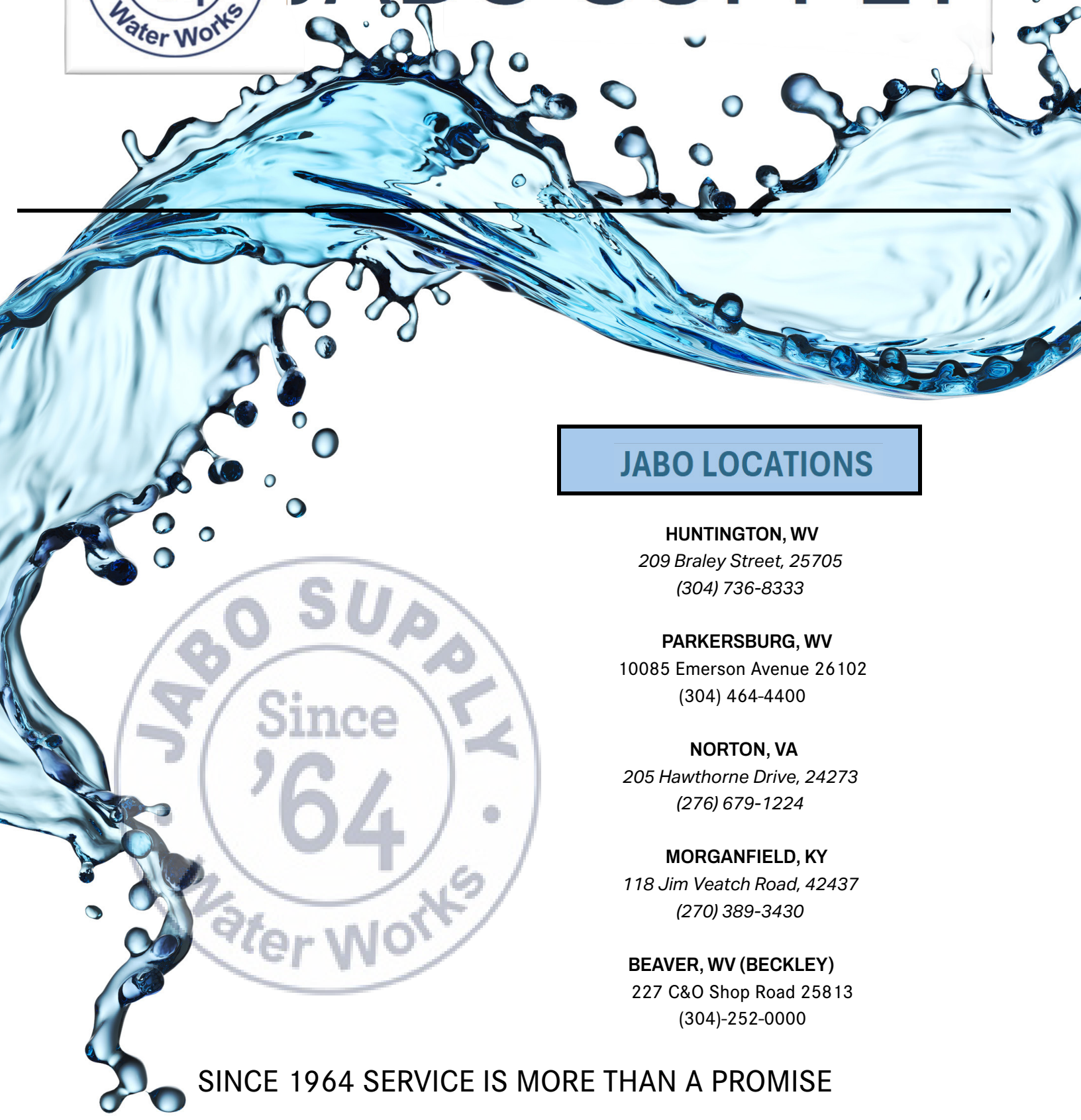


# JABO SUPPLY

**CALL JABO SUPPLY FOR ALL YOUR WATER WORKS NEEDS**



# JABO SUPPLY



## JABO LOCATIONS

### **HUNTINGTON, WV**

209 Braley Street, 25705  
(304) 736-8333

### **PARKERSBURG, WV**

10085 Emerson Avenue 26102  
(304) 464-4400

### **NORTON, VA**

205 Hawthorne Drive, 24273  
(276) 679-1224

### **MORGANFIELD, KY**

118 Jim Veatch Road, 42437  
(270) 389-3430

### **BEAVER, WV (BECKLEY)**

227 C&O Shop Road 25813  
(304)-252-0000

**SINCE 1964 SERVICE IS MORE THAN A PROMISE**